

Automation  
Simplified...



Solenoid Valve

Angle Seat Valve

Rotary Coupling

Pneumatic Directional Control Valve

Actuator

Cylinder

One Touch Fitting

Ball Valve

Butterfly Valve

Country of Origin - INDIA





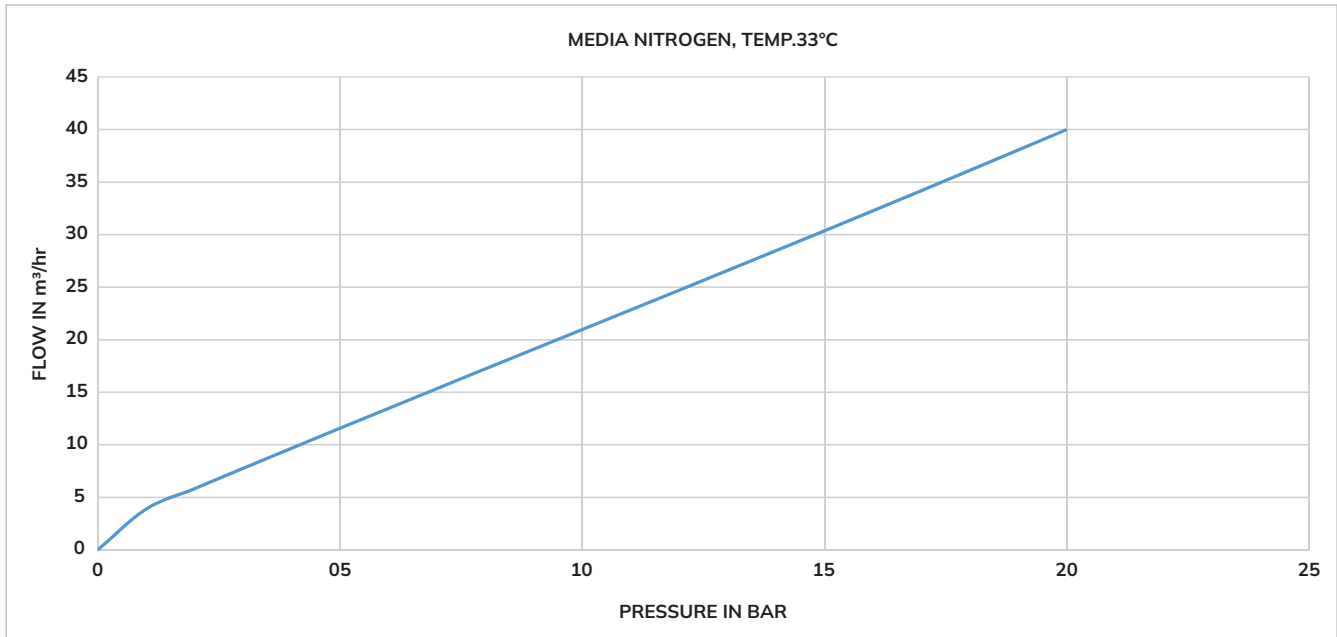
### PRV Specifications

Type :	Diaphragm Operated
Body :	Brass,SS304,SS316,SS316L
Port Size :	¼" - NPT Female
Media :	Nitrogen, O <sub>2</sub> , Argon, etc...
Circumstance Temp :	-40°C to +110°C
Inlet Pressure:	400 Bar
Regulated Pressure:	0 to 25 Bar
Nominal Flow at 20 Bar	40 m <sup>3</sup> /hr
Outlet Pressure :	
Safety Valve Cracking Pressure :	30 Bar (Adjustable)

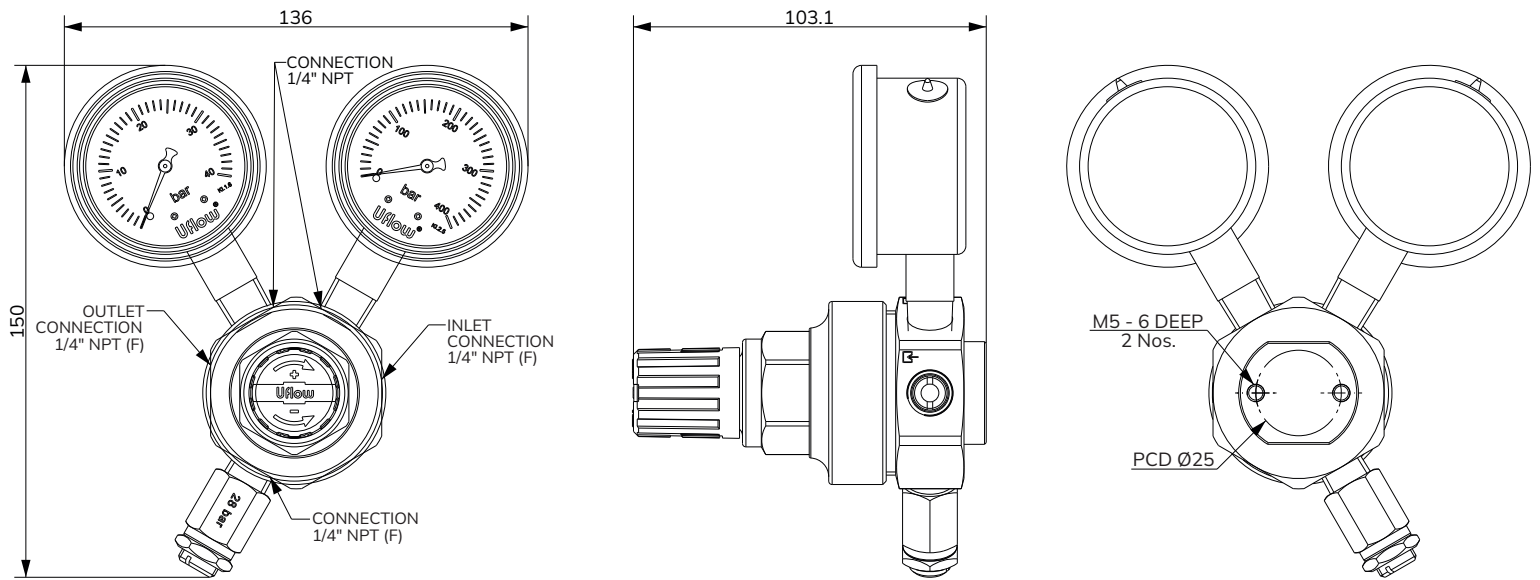
### Features

- ✔ A filter has been added to the inlet port and an inlet pressure gauge has been installed in accordance with standard 6901.
- ✔ Metal diaphragm maintain consistent pressure regulation, offering precise control over system pressures.
- ✔ Very compact design.
- ✔ Bottom mounting available.
- ✔ Adjustable relief pressure.

### Flow Chart

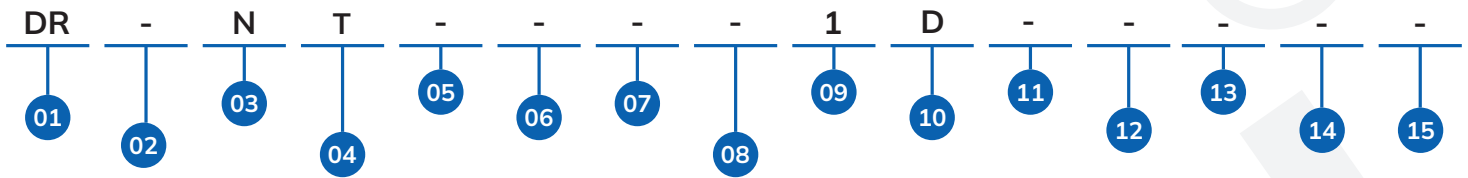


## Dimension Drawing (All dimension in mm)



\* All dimensions are approx

# DR - SERIES HIGH PRESSURE DIAPHRAGM TYPE REGULATOR MODEL IDENTIFICATION CHART



01	SERIES
-	DR

02	PRODUCT TYPE
-	Diaphragm Type Regulator

03	INPUT PRESSURE
M	200 BAR
N	400 BAR

04	OUTPUT PRESSURE
S	0 TO 30 BAR
T	0 TO 25 BAR

05	PORT SIZ
-	1/4" NPT (F)

06	BODY MATERIAL
-	SS 316L
B	Brass
A	Aluminium (only For 200 Bar)

07	SEAL MATERIAL
-	Engineering Plastic

08	PORTING
-	5 Ports

09	INLET GAUGE
-	W/O Gauge
1	0 To 400 Bar Brass
2	0 To 250 Bar Brass Wika
3	0 To 250 Bar SS Baumer
4	0 To 600 Bar Brass Wika Dry
5	0 To 250 Bar Brass Wika Dry

10	OUTLET GAUGE
-	W/O GAUGE
C	0 To 70 Bar Brass
D	0 To 40 Bar Brass Wika
E	0 To 40 Bar SS Baumer
F	0 To 40 Bar Brass Wika Dry

11	CYLINDER INLET CONNECTION
-	W/O I/C
X	5/8" (M)
Y	3/4" (F)

12	PROCESS OUTLET CONNECTION
-	W/O I/C
M	1/2" BSP (M)

13	FEATURES
-	Relief Valve
W	W/O Relief Valve

14	CONFIGURATION
-	REGULAR
C1	CONFIG 1
C2	CONFIG 2
C3	CONFIG 3
...	...
C9	CONFIG 9
CA	CONFIG 10
CB	CONFIG 11

15	VERSION
-	VERSION 0
V1	VERSION 1
V2	VERSION 2
V3	VERSION 3
...	...
V9	VERSION 9
VA	VERSION 10
VB	VERSION 11

**DR-NT1D**

1/4" NPT (F) DIAPHRAGM TYPE REGULATOR SS316L-I/P 400 BAR-0 TO 400 BAR BRASS GAUGE-O/P 0 TO 25 BAR-0 TO 40 BAR BRASS GAUGE WIKA- ENGINEERING PLASTIC-5 PORTS-RELIEF VALVE



Made In India



**CONTACT US:**

For Domestic Inquiry

✉ [sales@uflowvalve.com](mailto:sales@uflowvalve.com) 📞 +91 85110 98822 🌐 [www.uflowvalve.com](http://www.uflowvalve.com)

For Export Inquiry

✉ [export@uflowvalve.com](mailto:export@uflowvalve.com) 📞 +91 99744 77370 📞 +91 78018 09550

📍 Uflow Automation, Ankur Industrial Complex, Survey No: 275/276, Plot No: 31, Nr. Intol Cast Pvt. Ltd. Shapar(Veraval) Dist.: Gujarat (India) - 360 024.