

## 2 WAY- 3WAY DIRECT ACTING PILOT SOLENOID VALVE

Automation  
Simplified...



Solenoid Valve

Angle Seat Valve

Rotary Coupling

Pneumatic Directional Control Valve

Actuator

Cylinder

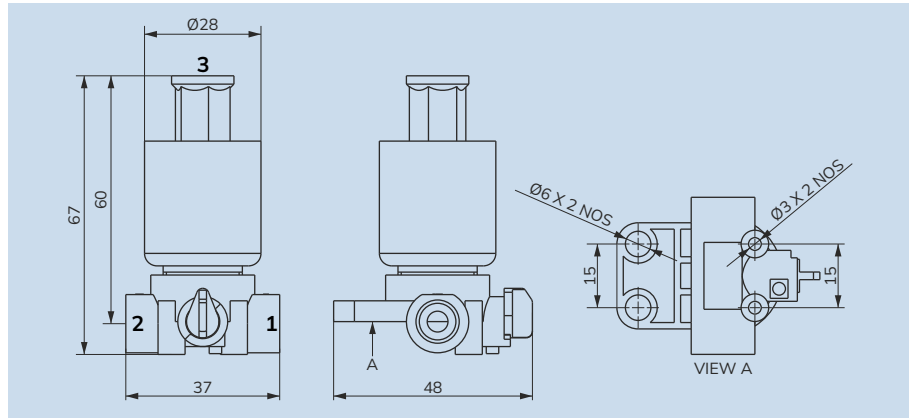
One Touch Fitting

Ball Valve

Butterfly Valve

Country of Origin - INDIA





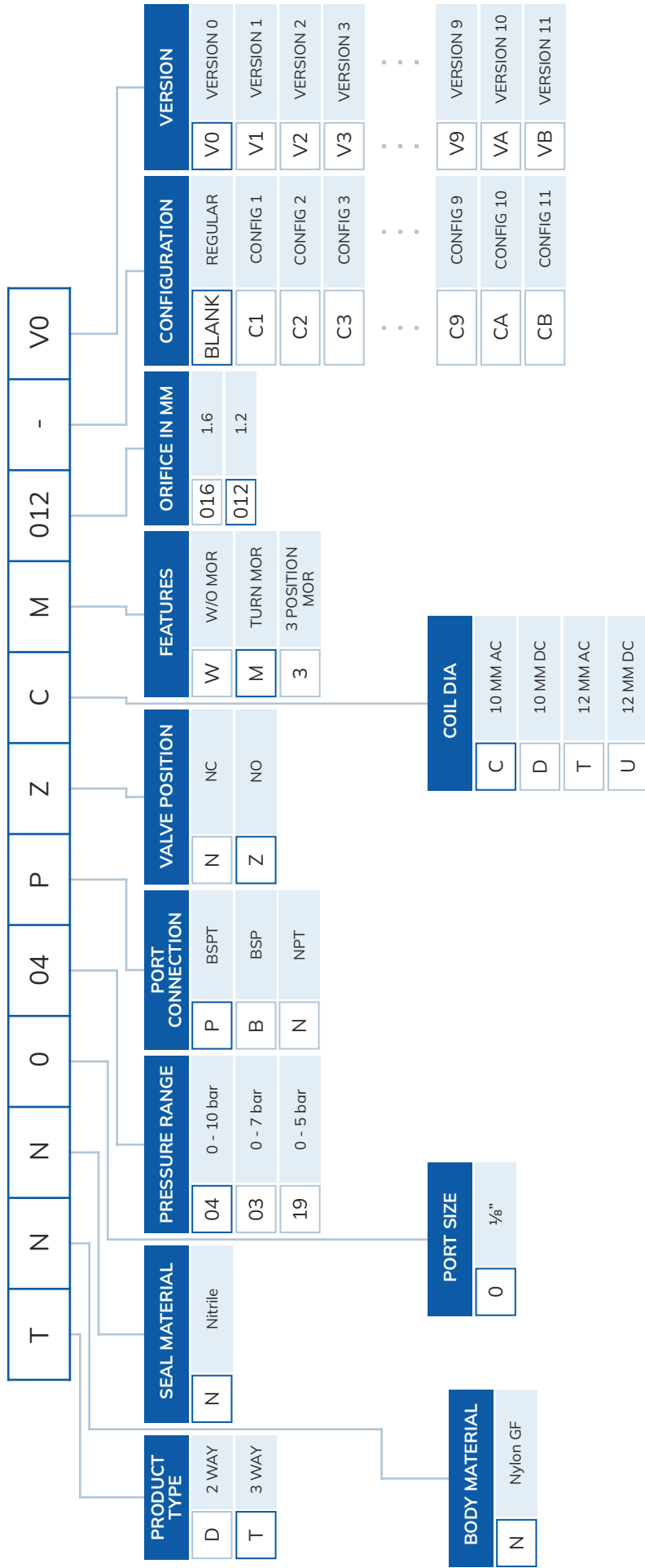
**Technical Data**

Model No.	Valve Type	Body Material	Pipe (Inch)	Orifice(mm)	Min. Operating Pressure Kg/cm <sup>2</sup>	Max. Operating Pressure Kg/cm <sup>2</sup>	Seal & Diaphragm Material	Flow Factor Kv m <sup>3</sup> / hr
DNN004PNDM016V0	2 Way	Nylon GF	1/8"	1.6	0	10	NITRILE (NBR)	0.07
TNN004PZCM012V0	3 Way	Nylon GF	1/8"	1.2	0	10	NITRILE (NBR)	0.042
TNN004PZU3012V0	3 Way	Nylon GF	1/8"	1.2	0	10	NITRILE (NBR)	0.042

**Pipe Connection**

Valve Position	Valve Type	Port No. - 1	Port No. - 2	Port No. - 3
Normally Close	3 Way	Input	Output	Exhaust
Normally Open	3 Way	Exhaust	Output	Input
Normally Close	2 Way	Output	Input	-

# 2 WAY - 3 WAY DIRECT ACTING PILOT SOLENOID VALVE MODEL IDENTIFICATION CHART



**TNN04PZCM012V0**

1/8" 3 WAY DIRECT ACTING NYLON GF-NITRILE-0 TO 10 Bar-BSPT-NO-10MM AC-TURN MOR-1.2MM ORIFICE

Note: The above chart is for identification purposes only, and it may not be possible to make all combinations for the above chart.

# Global Presence...



Made In India



## CONTACT US:

✉ [sales@uflowvalve.com](mailto:sales@uflowvalve.com) ☎ +91 851 109 8822 🌐 [www.uflowvalve.com](http://www.uflowvalve.com)

📍 Uflow Automation, Ankur Industrial Complex, Survey No: 275/276, Plot No: 31, Nr. Intol Cast Pvt. Ltd. Shapar(Veraval) Dist.: Gujarat (India) - 360 024.