

**PLASTIC SOLENOID VALVE  
WITH FLOW CONTROLLER**

Automation  
Simplified...



Solenoid Valve

Angle Seat Valve

Rotary Coupling

Pneumatic Directional Control Valve

Actuator

Cylinder

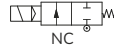
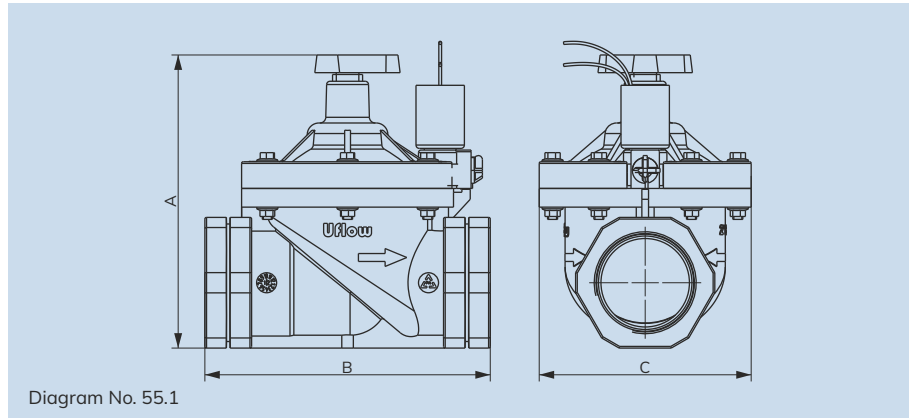
One Touch Fitting

Ball Valve

Butterfly Valve

Country of Origin - INDIA





### Specifications

Port :	3/4", 1", 1 1/2" & 2" (Available in BSP / BSPT / NPT)		
End Connection :	Screwed		
Body Material :	Nylon GF		
Diaphragm :	Natural Rubber		
Max Media Temp :	5°C to 50°C		
Ambient Temp :	-10°C to 50°C		
Media :	Water		
Operating Voltage :	24AC	24DC	12DC
Power Consumption :	8W	8W	8W
Coil Features :	High Reliability Unaffected by Voltage Surges. Easy coil changes coil lockable in 4X90 position or freely movable in between as require.		
Coil Housing :	IP65 Epoxy square coil, IP65 Metallic round enclosure, IP68 Weatherproof enclosure.		
Other Specification Data :	Available on Request		

**NOTE:** Use of filter in the inlet port is recommended.

### Feature

- Inbuilt Flow Control Capabilities.
- Manual Override in All The Valve.
- Pressure Below Seat to Reduce Water Hummer.
- Low Head Loss With High Flow.

### Technical Data

Model No.	Body Material	Pipe (Inch)	Orifice (mm)	Min. Operating Pressure mbar	Max. Operating Pressure bar	Seal & Diaphragm Material	Flow Factor Kv m <sup>3</sup> / hr
PNA306BNTFV0	Nylon GF	3/4"	20	0.5	10	Natural Rubber	8
PNA406BNTFV0	Nylon GF	1"	25	0.5	10	Natural Rubber	12
PNA606BNTFV0	Nylon GF	1 1/2"	40	0.5	10	Natural Rubber	23
PNA806BNTFV0	Nylon GF	2"	52	0.5	10	Natural Rubber	38

### Dimension (All dimensions are in mm)

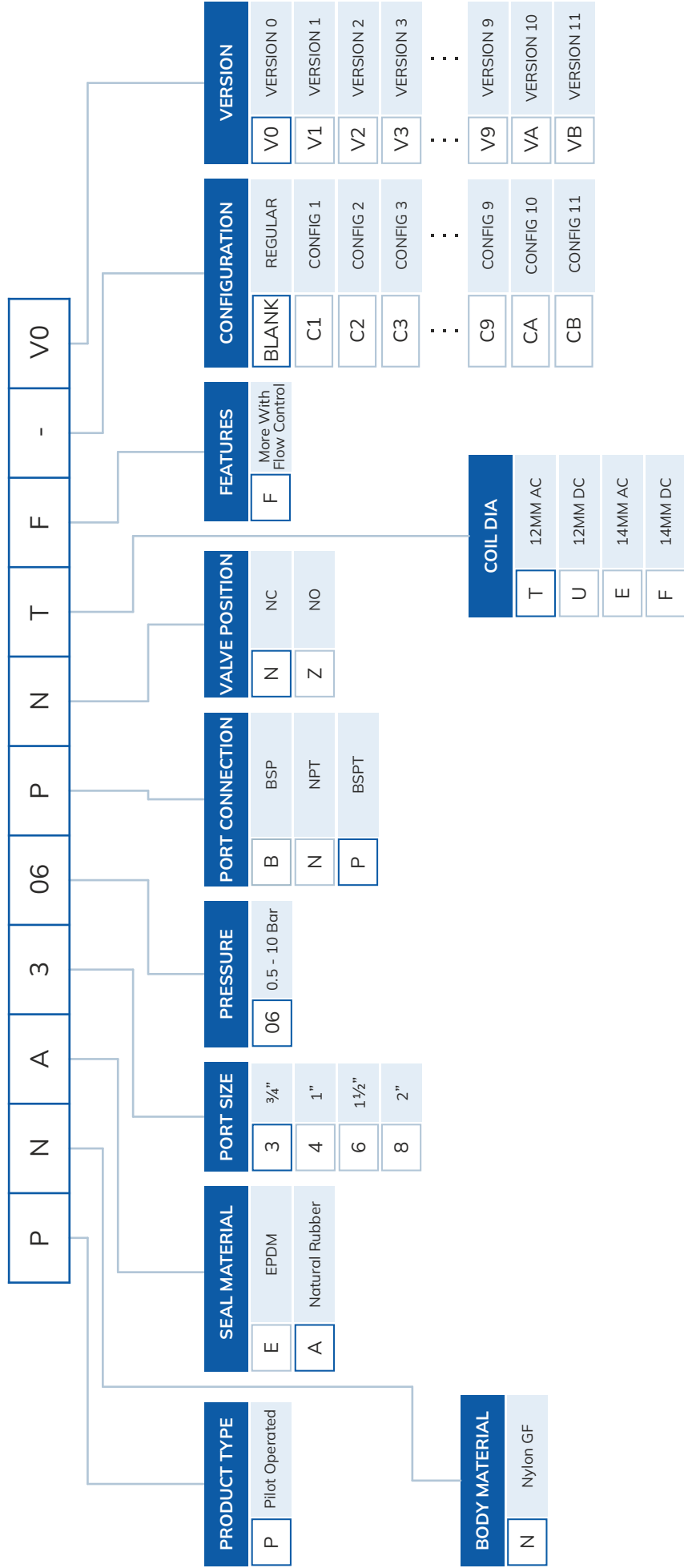
All Dimensions are approx.

Model No.	Port Size	Diagram No.	A	B	C
PNA306BNTFV0	3/4"	55.1	108	110	81
PNA406BNTFV0	1"	55.1	114	110	81
PNA606BNTFV0	1 1/2"	55.1	180	160	126
PNA806BNTFV0	2"	55.1	190	170	126

### Section View



# PILOT OPERATED DIAPHRAGM TYPE PLASTIC SOLENOID VALVE MODEL IDENTIFICATION CHART



## PNA306PNTFV0

3/4" PILOT OPERATED DIAPHRAGM NYLON GF-NATURAL RUBBER-0.5 TO 10-BSPT-NC-12MM AC-MOR WITH FLOW CONTROL


# Global Presence...




Made In India



## CONTACT US:

 [sales@uflowvalve.com](mailto:sales@uflowvalve.com)  +91 851 109 8822  [www.uflowvalve.com](http://www.uflowvalve.com)

 Uflow Automation, Ankur Industrial Complex, Survey No: 275/276, Plot No: 31, Nr. Intol Cast Pvt. Ltd. Shapar(Veraval) Dist.: Gujarat (India) - 360 024.