

Automation
 Simplified...



- Solenoid Valve
- Angle Seat Valve
- Rotary Coupling
- Pneumatic Directional Control Valve
- Actuator
- Cylinder
- One Touch Fitting
- Ball Valve
- Butterfly Valve

Country of Origin - INDIA



Specifications

Media :	Air
Max. operating pressure :	10 Bar
Ambient temperature :	-10°C to +60°C
Threaded connection :	Male : R - Taper thread, Female : G - Parallel thread
Media temperature :	+5°C to +50°C
Applicable tube material :	Nylon, Polyurethane
Applicable tube size (OD) :	Ø4, Ø6, Ø8, Ø10, Ø12, Ø14, Ø16
Recommended tolerance for tube OD :	±0.1 mm
Recommended minimum wall thickness of tubes :	

Nylon		PU	
Tube OD (mm)	Thickness (mm)	Tube OD (mm)	Thickness (mm)
Ø4	1	Ø4	1
Ø6		Ø6	1
Ø8		Ø8	1.5
Ø10		Ø10	1.5
Ø12		Ø12	2
Ø14		Ø14	2
Ø16		Ø16	2.5

Features

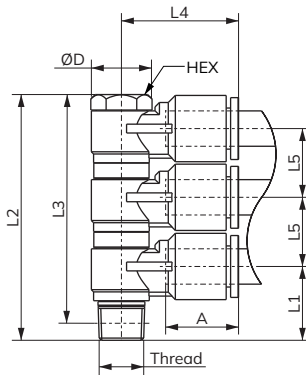
- ☑ Compact & Captivating Design
- ☑ All Threaded nipples has plastic portion that is capable of rotating 360°
- ☑ Full bore piping enables smooth flow of fluids.
- ☑ New Design SS collet
- ☑ Air tight sealing of tubes
- ☑ Compatible with both Nylon & PU pipes
- ☑ Male Taper threads with PTFE coating
- ☑ Durable & Maintenance free
- ☑ Robust collet design lets the fitment & function remains unaffected even due to vibration.
- ☑ Simple & fast connection of tube just by plugging-in manually and similarly smooth way of pulling-out just by the press of plastic collet cap.

Application

One-touch fitting can be effectively used in all compressed air applications
Some of the pneumatic application include

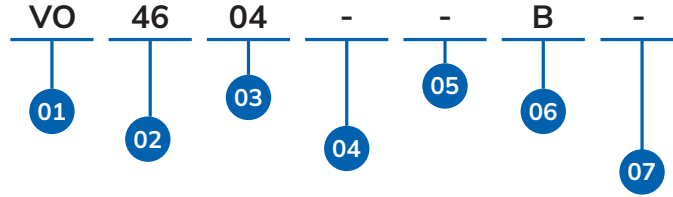
- ☑ Pneumatic cylinders (all types)
- ☑ All compressed air lines, machinery of all kinds wherever pneumatic systems are used
- ☑ Directional control valves(DCV), solenoid valves(SOV) and other valves
- ☑ Pneumatic control & circuit panels
- ☑ Air preparation units like filter, regulator and lubricators(FRL)

Triple Swivel



Model No.	Tube OD	Thread	HEX	ØD	L1	L2	L3	L4	L5	A
VO-4604B	4	R1/8	12	13.5	15	55.5	52	22	15.5	14.5
VO-4606B	6	R1/8	12	13.5	15.5	55.5	52	23	15.5	15.5
VO-4606C		R1/4	14	18	20	69.5	64	25	19.4	15.5
VO-4608B	8	R1/8	12	13.5	17.5	55.5	52	27	15.5	17
VO-4608C		R1/4	14	18	20.5	69.5	64	27.5	19.4	17
VO-4608D		R3/8	19	22	23	80	74	29.5	21.6	17
VO-4608E		R1/2	24	28	26.5	85	77.5	32.5	21.5	17
VO-4610C	10	R1/4	14	18	22.5	69.5	64	32.5	19.4	20
VO-4610D		R3/8	19	22	24	80	74	34.5	21.6	20
VO-4610E		R1/2	24	28	27.5	85	77.5	36.5	21.5	20
VO-4612D	12	R3/8	19	22	25	80	74	36	21.6	20.5
VO-4612E		R1/2	24	28	28.5	85	77.5	37.5	21.5	20.5

VO - SERIES ONE TOUCH FITTINGS MODEL IDENTIFICATION CHART



01	SERIES
-	VO

04	APPLICABLE TUBING OD
-	BLANK
04	TO Ø04MM
06	TO Ø06MM
08	TO Ø08MM
10	TO Ø10MM
12	TO Ø12MM
14	TO Ø14MM
16	TO Ø16MM

05	APPLICABLE TUBING OD
-	BLANK
04	TO Ø04MM
06	TO Ø06MM
08	TO Ø08MM
10	TO Ø10MM
12	TO Ø12MM
14	TO Ø14MM
16	TO Ø16MM

02 PRODUCT TYPE			
21	Straight Union	38	Male Run Tee
22	Different Dia. Straight Union	39	Female Run Tee
23	Union Elbow	40	Male Branch 'Y'
24	Union Elbow Reducer	41	Male Connector (Internal Hexagon Socket)
25	Union Tee	42	Single Swivel (Internal Hexagon Socket)
26	Union Tee Reducer	43	Single Swivel (Slotted Head)
27	Union 'Y'	44	Single Swivel (Hexagon Head)
28	Union 'Y' Reducer	45	Double Swivel
29	Bulk Head Union	46	Triple Swivel
30	Male Connector	47	Multi Distributor Union
31	Bulk Head Female Connector	48	Multi Distributor Male
32	Female Connector	49	Cross Union
33	Male Elbow	50	Plug
34	Extended Male Elbow	53	Self Sealing
35	Female Elbow	54	Male Straight
36	Male Branch Tee	56	Double Branch Male Elbow
37	Female Branch Tee		

06 THREAD			
-	BLANK	K	1" BSP
A	M5X0.8	L	1/8" NPT
B	1/8" BSPT	M	1/4" NPT
C	1/4" BSPT	N	3/8" NPT
D	3/8" BSPT	O	1/2" NPT
E	1/2" BSPT	P	1/2" BSW (8 ANI)
F	1/8" BSP	Q	3/4" NPT
G	1/4" BSP	S	M6X1
I	3/8" BSP	T	M12X1.5
J	1/2" BSP	U	3/4" BSPT

03 APPLICABLE TUBING OD	
04	With Applicable Tubing Od Ø04mm
06	With Applicable Tubing Od Ø06mm
08	With Applicable Tubing Od Ø08mm
10	With Applicable Tubing Od Ø10mm
12	With Applicable Tubing Od Ø12mm
14	With Applicable Tubing Od Ø14mm
16	With Applicable Tubing Od Ø16mm

07 CONFIGURATION	
-	REGULAR
C1	CONFIG 1
C2	CONFIG 2
C3	CONFIG 3
⋮	⋮
C9	CONFIG 9
CA	CONFIG 10
CB	CONFIG 11

08 VERSION	
-	VERSION 0
V1	VERSION 1
V2	VERSION 2
V3	VERSION 3
⋮	⋮
V9	VERSION 9
VA	VERSION 10
VB	VERSION 11

Global Presence...



Made In India



CONTACT US:

For Domestic Inquiry

✉ sales@uflowvalve.com 📞 +91 85110 98822 🌐 www.uflowvalve.com

For Export Inquiry

✉ export@uflowvalve.com 📞 +91 99744 77370 📞 +91 78018 09550

📍 Uflow Automation, Ankur Industrial Complex, Survey No: 275/276, Plot No: 31, Nr. Intol Cast Pvt. Ltd. Shapar(Veraval) Dist.: Gujarat (India) - 360 024.