

Automation
Simplified...



Solenoid Valve

Angle Seat Valve

Rotary Coupling

Pneumatic Directional Control Valve

Actuator

Cylinder

One Touch Fitting

Ball Valve

Butterfly Valve

Country of Origin - INDIA

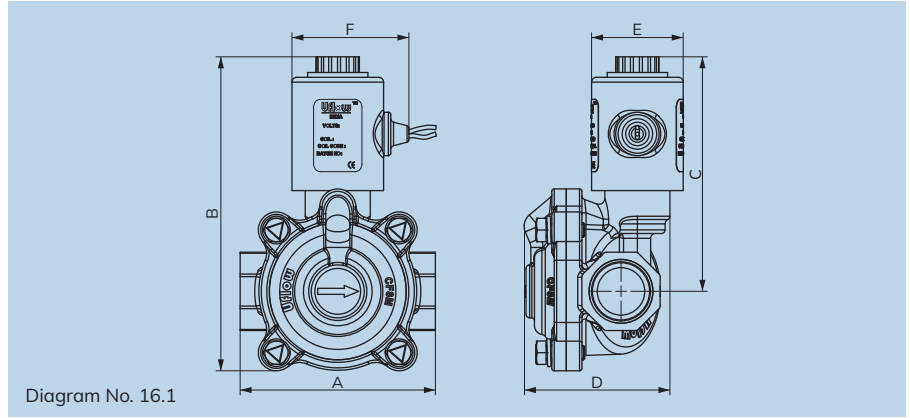
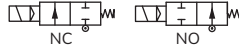


Diagram No. 16.1



Specifications

Port :	3/8", 1/2", 3/4", 1", 1 1/4", 1 1/2", 2", 2 1/2", 3" & 4" (Available BSP / NPT)				
End Connection :	Screwed / Flange				
Body Material :	SS ASTM A351 Grade CF8 / CF8M				
Diaphragm :	Nitrile (NBR)	EPDM	Viton (FKM)		
Media Temp :	-30°C to 90°C	-10°C to 140°C	-10°C to 180°C		
Circumstance Temp :	-10°C to 70°C				
Media :	Air, Water, Chemical, Gas, Oil & LPG				
Main Features :	Internal Parts are in superior corrosion resistance steel, (Equivalent to SS316L) Suitable for Food Industries, Pharmaceuticals, Chemical application & Highly corrosive environment.				
Operating Voltage :	24AC	110AC	230AC	12DC	24DC
Power Consumption :	9W	9W	9W	10W	11W
Coil Features :	High Reliability Unaffected by Voltage Surges. Easy coil changes coil lockable in 4X90 position or freely movable in between as require.				
Coil Housing :	IP65 Epoxy square coil, IP65 Metallic round enclosure, IP67 Flameproof enclosure, IP68 Weatherproof enclosure.				
Optional Feature :	90% Power saver series also available, Manual Override, Water hammering reducer also available to avoid water hammer forces.				
Other Specification Data :	Available on Request. - High Pressure 20Kg Series. - Manual Override				

NOTE: Use of filter in the inlet port is recommended.

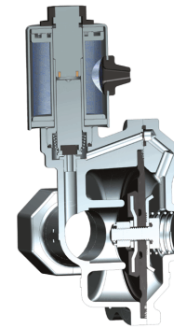
Dimension - NC (All dimensions in mm)

All dimensions are approx.

Model No.	Port Size	Diagram No.	A	B	C	D	E	F
PCN-7E	3/8"	16.1	67	123	95	52	38	49
PCN-2E	1/2"	16.1	67	123	95	52	38	49
PCN-3E	3/4"	16.1	81	130	97	60	38	49
PCN-4E	1"	16.1	96	146	105	66	38	49
PCN-5E	1 1/4"	16.1	108	154	108	88	38	49
PCN-6E	1 1/2"	16.1	108	154	108	88	38	49
PCN-8E	2"	16.1	132	181	126	102	38	49
PCN-9E	2 1/2"	16.1	166	212	140	126	38	49
PCN-AE	3"	16.1	192	237	151	138	38	49
PCN-BI	4"	16.1	262	257	194	202	50	63

In normally open valve dimension B&C will increase up to 8mm.

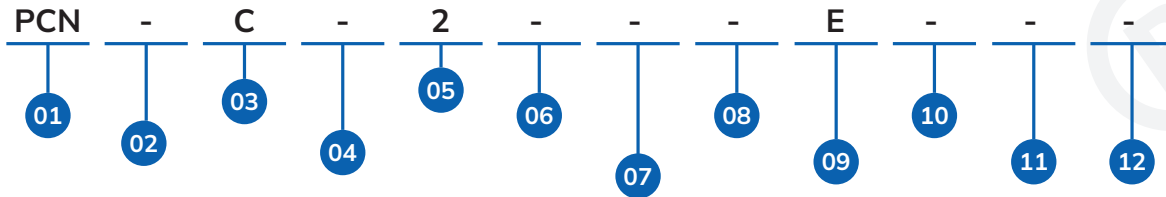
Section View



Technical Data

Model No.	Body Material	Pipe (Inch)	Orifice (mm)	Min. Operating Pressure Kg/cm ²	Max. Operating Pressure Kg/cm ²	Seal & Diaphragm Material	Flow Factor Kv m ³ / hr
PCN-7E	CF8 / CF8M	3/8"	15	0.5	12	NBR / EPDM / VITON	2
PCN-2E	CF8 / CF8M	1/2"	17	0.5	12	NBR / EPDM / VITON	4.4
PCN-3E	CF8 / CF8M	3/4"	20	0.5	12	NBR / EPDM / VITON	3.7
PCN-4E	CF8 / CF8M	1"	25	0.5	12	NBR / EPDM / VITON	10
PCN-5E	CF8 / CF8M	1 1/4"	36	0.5	12	NBR / EPDM / VITON	12.2
PCN-6E	CF8 / CF8M	1 1/2"	36	0.5	12	NBR / EPDM / VITON	17.1
PCN-8E	CF8 / CF8M	2"	47	0.5	12	NBR / EPDM / VITON	33.3
PCN-9E	CF8 / CF8M	2 1/2"	59	0.5	12	NBR / EPDM / VITON	43.5
PCN-AE	CF8 / CF8M	3"	71	0.5	12	NBR / EPDM / VITON	64.5
PCN-BI	CF8 / CF8M	4"	98	0.5	12	NBR / EPDM / VITON	115

PCN -SERIES PILOT OPERATED DIAPHRAGM TYPE SOLENOID VALVE MODEL CHART



01	SERIES
	PCN

02	PRODUCT TYPE
-	Pilot Operated Diaphragm
F	Fast Acting

03	BODY MATERIAL
-	CF8
M	CF8M
C	CF3M

04	SEAL MATERIAL
-	NITRILE
E	EPDM
V	VITON
N	BUNA N

05	PORT SIZE
2	1/2"
3	3/4"
4	1"
5	1-1/4"
6	1-1/2"
7	3/8"
8	2"
9	2-1/2"
A	3"
B	4"

06	PRESSURE RANGE
-	0.5 - 12 Bar
16	1 - 20 Bar

07	PORT CONNECTION
-	BSP
N	NPT
P	BSPT
D	Flange End
L	Flat Face Flange End
T	Tri Clover End

08	VALVE POSITION
-	NC
Z	NO

09	COIL DIA
E	14MM AC
F	14MM DC
G	14MM FLP AC
H	14MM FLP DC
I	18 MM AC
J	18 MM DC
V	18MM FLP AC
W	18MM FLP DC
5	14MM SS FLP AC
6	14MM SS FLP DC

10	FEATURES
-	W/O MOR
M	TURN MOR

11	CONFIGURATION
-	REGULAR
C1	CONFIG 1
C2	CONFIG 2
C3	CONFIG 3
⋮	⋮
C9	CONFIG 9
CA	CONFIG 10
CB	CONFIG 11

12	VERSION
-	VERSION 0
V1	VERSION 1
V2	VERSION 2
V3	VERSION 3
⋮	⋮
V9	VERSION 9
VA	VERSION 10
VB	VERSION 11

PCN-C2E
1/2" PILOT OPERATED DIAPHRAGM CF3M-NITRILE-
0.5 TO 12 Bar-BSP-NC-14MM AC

Note: The above chart is for identification purposes only, and it may not be possible to make all combinations for the above chart.

Global Presence...



Made In India



CONTACT US:

For Domestic Inquiry

✉ sales@uflowvalve.com 📞 +91 85110 98822 🌐 www.uflowvalve.com

For Export Inquiry

✉ export@uflowvalve.com 📞 +91 99744 77370 📞 +91 78018 09550

📍 Uflow Automation, Ankur Industrial Complex, Survey No: 275/276, Plot No: 31, Nr. Intol Cast Pvt. Ltd. Shapar(Veraval) Dist.: Gujarat (India) - 360 024.